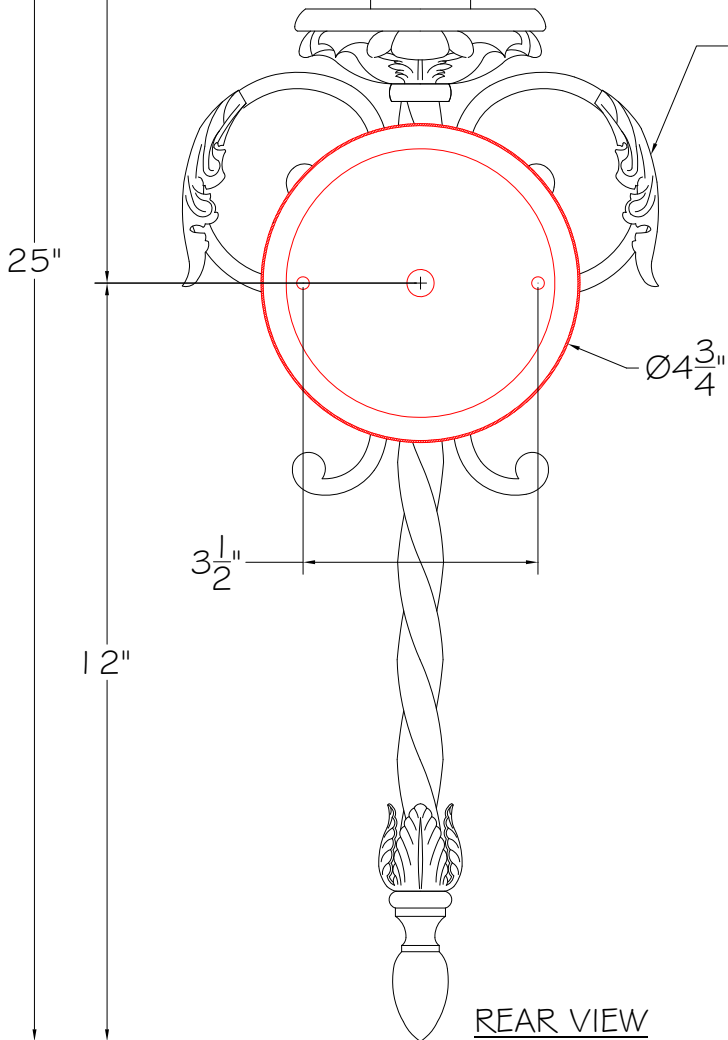
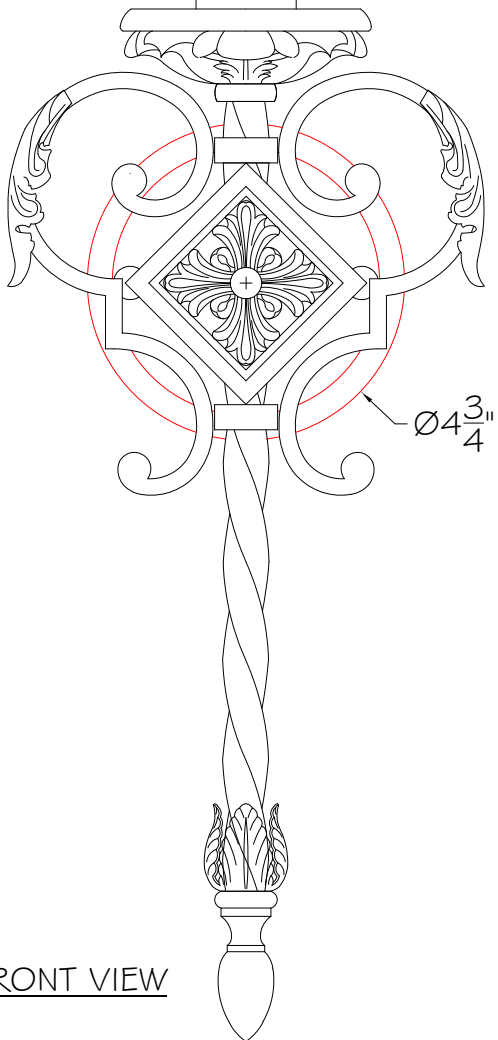
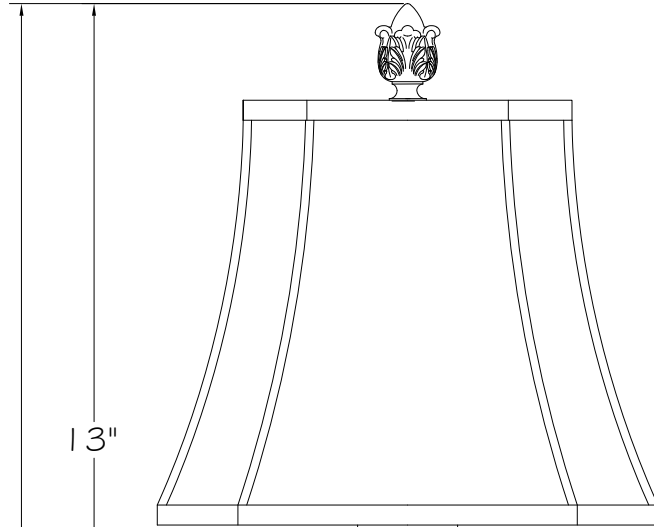
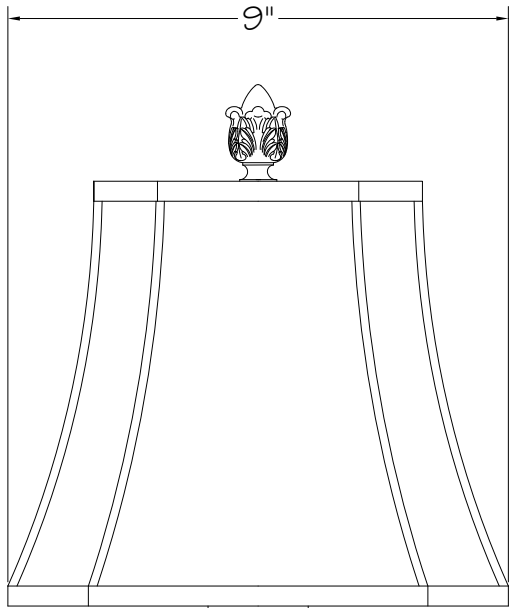


CUSTOMER REFERENCE DRAWING



FRONT VIEW

REAR VIEW