

START FROM HERE

- Make sure power is completely off at the fuse box.
- Have your fixture installed by a qualified licensed electrician
- Prepare everything in a clear area.
- Wear gloves at all times during this installation.
- Read instructions carefully before you start assembly.
- Keep this instruction sheet for future reference.

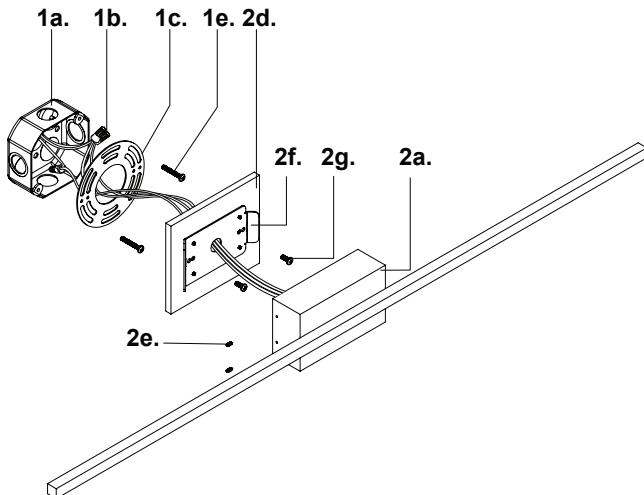
Please Note:

- This Kuzco LED fixture comes with pre-wired LED module(s)
- Unless instructed, Do Not touch any part of the LED module(s) as any unnecessary contact with the module could cause permanent damage
- For dimming, an ELV (Electronic Low Voltage) or TRIAC type of dimmer is required
- 120V input

Technical Support: 1-855-855-8926

Octagon Junction Box Install

1. Remove the fixture from its original packaging. Next, remove the cover plate (2d) and backplate (2f) assembly from the canopy (2a) by removing the set screws (2e).
2. Ensure that the backplate (2f) is secured to the cover plate (2d) using the cover plate screws (2b) (See Illustration 1).
3. Install universal mounting plate (1c) to the electrical junction box (1a) using the junction box screws (1e).
4. Secure the cover plate (2d) and backplate (2f) assembly to the universal mounting plate (1c) using the mounting screws (2g).
5. Connect all wires correctly: black to black "L", white to white "N" and ground wire to ground using the included wire nuts (1b).
6. Attach the canopy (2a) to the backplate (2f) and secure with set screws (2e).



Single Gang Box Install

1. Remove the fixture from its original packaging. Next, remove the cover plate (2d) and backplate (2f) assembly from the canopy (2a) by removing the set screws (2e).
2. The cover plate (2d) and the universal mounting plate (1c) are not needed for single gang box installation. Only the backplate (2f) is needed for single gang box installation (See Illustration 1).
3. Install the backplate (2f) to the electrical junction box (1a) using the junction box screws (1e).
4. Connect all wires correctly: black to black "L", white to white "N" and ground wire to ground using the included wire nuts (1b).
5. Attach the canopy (2a) to the backplate (2f) and secure with set screws (2e).

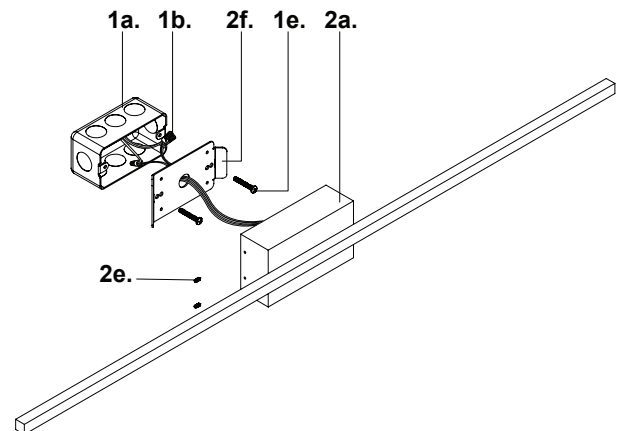
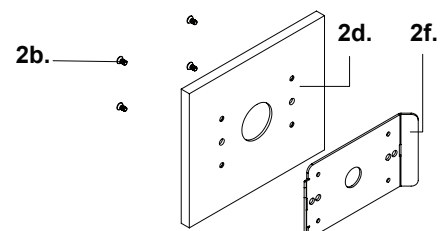


Illustration 1: Cover Plate + Backplate Assembly



*For Single Gang Box Installation, the backplate (2f) can be detached from the cover plate (2d) by removing the cover plate screws (2b).