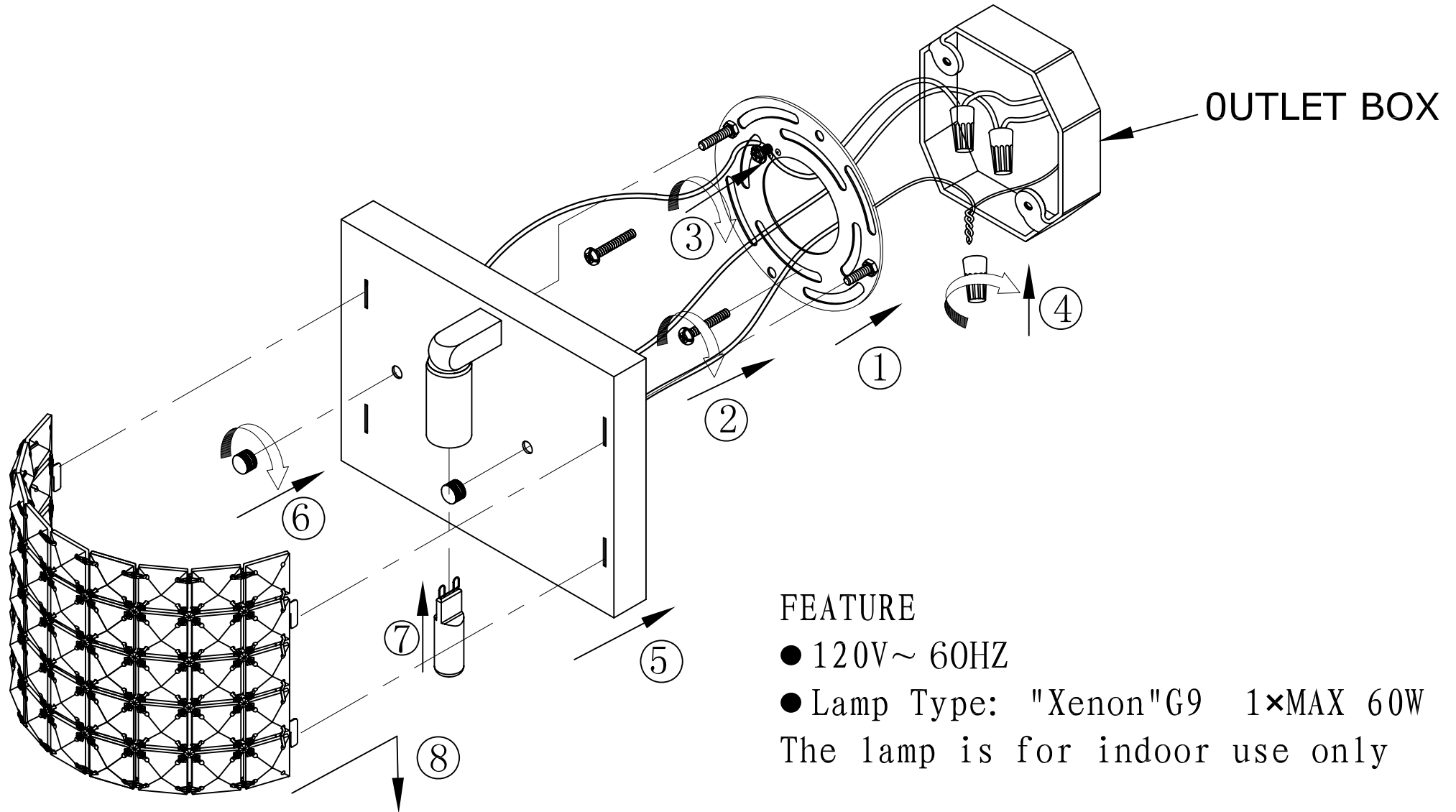


INSTALLATION INSTRUCTION

Item No. :867-1S



FEATURE

● 120V~ 60HZ

● Lamp Type: "Xenon"G9 1×MAX 60W

The lamp is for indoor use only