

INSTALLATION INSTRUCTION FOR FIXTURE

#3002-1S-BN.#3002-1S-VBRS.

WARNING! SHUT POWER OFF AT FUSE OR CIRCUIT BREAKER.
AVERTISSEMENT! COUPER LE COURANT AU NIVEAU DES FUSIBLES OU DU DISJONCTEUR.

MOUNTING THE FIXTURE (FIG. 1)

Warning:

Read instructions carefully. If you are unclear as to how to proceed, consult a qualified electrician.

NOTE: Proper wiring is essential for the safe operation of this fixture.

1. Shut off the power supply at the fuse box or circuit breaker. If necessary, remove the old fixture from wall. Including the mounting hardware.
2. Carefully remove the new fixture from the carton and check that all parts are included as shown in the illustration.
3. Attach the mounting plate (L) to the outlet box using the outlet box screws (J). The side of the mounting plate marked "GND" must face out.
4. Attach the fixture wall plate (I) over the mounting plate (L) and secure them by 2 mounting screws (H) snugly.
5. Place the glass Plate (F) between the steel plates(K) ,then secure lock balls (M) tightly.
6. Install the bulb in accordance with fixture's specifications. (DO NOT EXCEED THE MAXIMUM WATTAGE RATING **NE PAS DEPASSER LA PUISSANCE NOMINALE MAXIMALE!**)

CONNECTING THE WIRES (FIG. 2)

1. At this point, connect the electrical wires as shown in Fig. 2, making sure that all wire connectors are secured. If your outlet box has a ground wire (green or bare copper), connect the fixture's ground wire to it. Otherwise, connect the fixture's ground wire directly to the mounting strap using the green screw provided.
2. Tuck the wire connections neatly into the wall outlet box

Fig.1

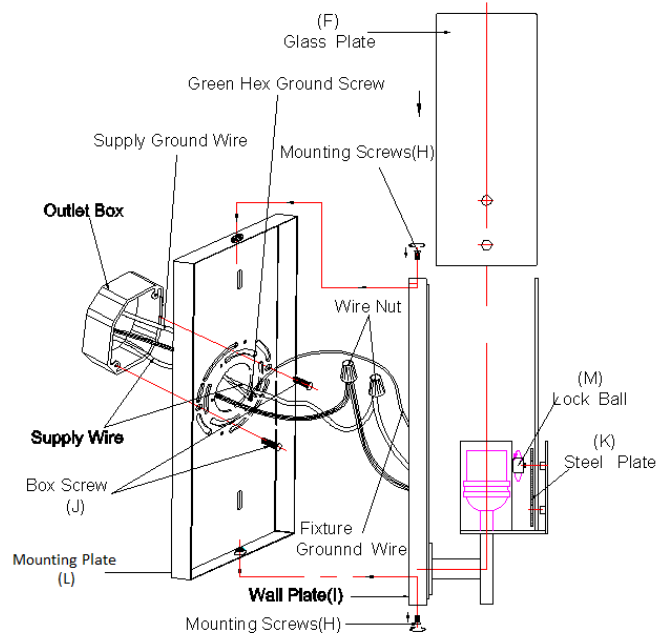
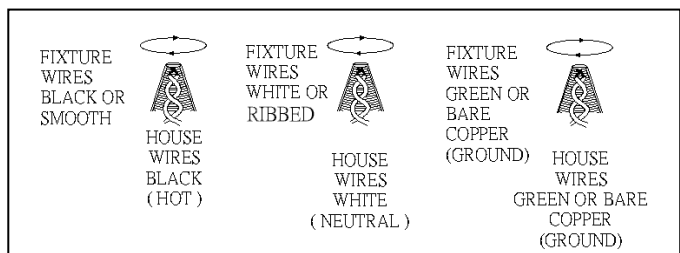


Fig.2



Your installation is complete. Return power to the fixture.

UL LISTED