

INSTALLATION AND SAFETY INSTRUCTIONS

Warning:

Read instructions carefully. If you are unclear as to how to proceed, consult a qualified electrician. **NOTE: Proper wiring is essential for the safe operation of this fixture.**

FOR YOUR SAFETY

WARNING: BE SURE THE ELECTRICITY TO THE WIRES YOU ARE WORKING ON IS SHUT OFF; EITHER THE FUSE IS REMOVED OR THE CIRCUIT BREAKER IS SHUT OFF.

GENERAL

You don't need special tools to install this fixture. Be sure to follow the steps in the order given. Under no circumstances should a fixture be hung on house electrical wires, nor should a swag type fixture be installed on a ceiling, which contains a radiant type heating system. Read instructions carefully. If you are unclear as to how to proceed, consult a qualified electrician.

NOTE: Proper wiring is essential for the safe operation of this fixture.

FIXTURE ASSEMBLY

Carefully removed the fixture from the carton and check that all parts are included as shown in figure. Be careful not to misplace any of the screws or parts, which are needed to install this fixture.

INSTALLATION

STEP 1: Connect the stem (A) together and install it into lamp body.

IMPORTANT: Do not attach fixture directly to outlet box.

GROUNDING INSTRUCTIONS

STEP 1: Mount ground wire on mounting bar onto ground screw in the outlet box. Firmly connect the mains supply wires to the light fitting using the connectors(D) provided. Ensure that wires are secure and that no bare wire is exposed.

NEVER CONNECT GROUND WIRE TO BLACK OR WHITE POWER SUPPLY WIRES.

STEP 2: Take note of the color of the wire(s) on your fixture. Identify which group your fixture wire(s) falls into and connect the wires according to the directions below:

GROUP A: Connect to Black House Wire	GROUP B: Connect to White House Wire
BLACK *PARALLEL WIRE (round & smooth)	WHITE *PARALLEL WIRE (square & ridged)
WHITE OR GREY WITH TRACER	WHITE OR GREY WITHOUT TRACER
BROWN GOLD OR BLACK WITHOUT TRACER	BROWN, GOLD OR BLACK WITH TRACER

*NOTE: When parallel wire (SPT-1 & SPT-2) is used, the tracerwire is square shaped or ridged and the less tracer wire is round in shape or smooth (seen best when viewed from wire end.)

STEP 2: Loosen the decorative nut(B), and take out the mounting bar.

STEP 3: Firmly connect the mains supply wires to the driver wire fitting using the quickly connector(C)

STEP 4: Install the mounting bar onto the ceiling, then fix it tightly using the screw(D)

STEP 5: Firmly connect the main supply wires to the ground wire fitting using the connectors(E) provided. Ensure that wires are secure and that no bare wire is exposed.

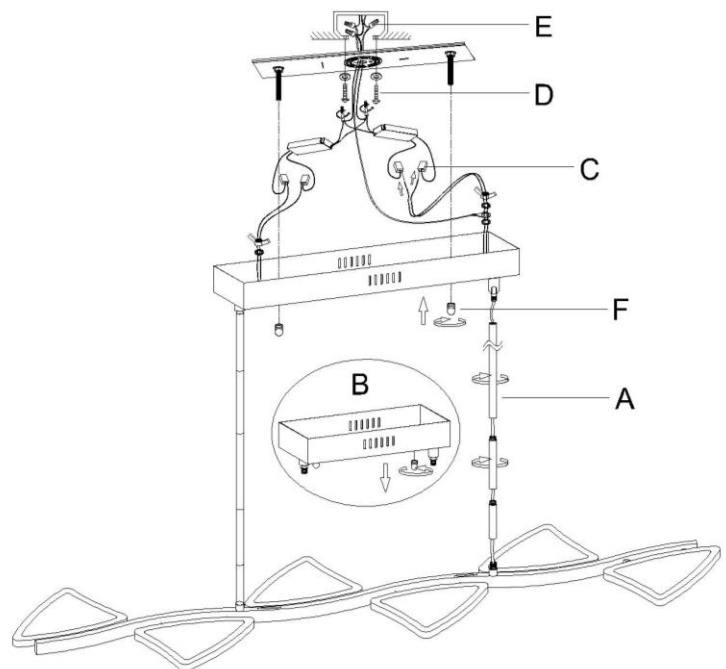
STEP 6: Install the whole lamp onto the canopy, then using the decorative nut (F) screw it tightly

CLEANING

To clean, wipe fixture with a soft and dry cloth. Do not use abrasive materials such as scouring pads or powders, steel wool or abrasive paper.

ORDERING PARTS

Keep this sheet for future reference, and in case you need to order replacement parts. All parts for this fixture can be ordered from place of purchase. Be sure to use exact wording from illustration when ordering parts.



Line art shown may not exactly match the fixture enclosed. However, the installations do apply to this fixture.
ITEM NO: 1003-6CH-LED