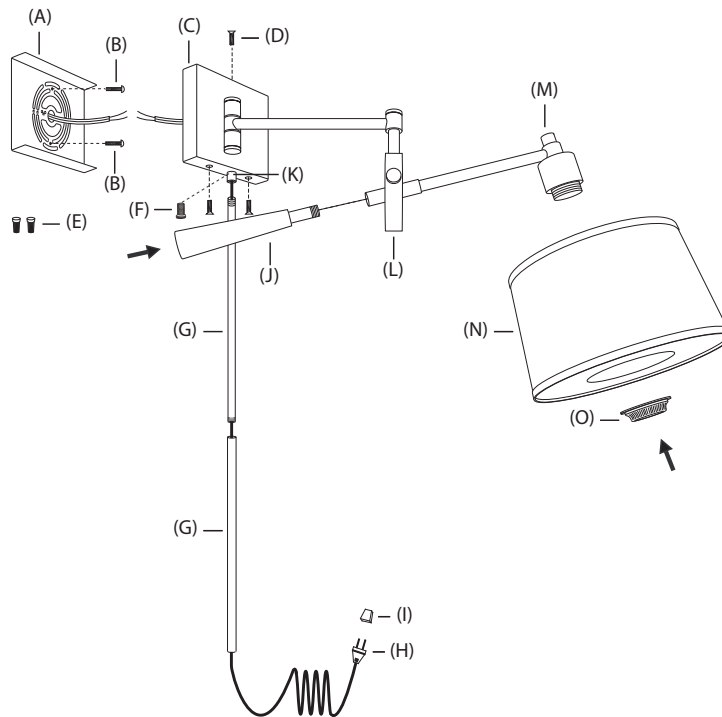


# ASSEMBLY INSTRUCTIONS FOR YOUR REAL SIMPLE BOOM WALL LAMP



## IMPORTANT SAFETY INSTRUCTIONS:

- \*These instructions are provided for your safety. It is very important that they are read completely before beginning the installation of your fixture.
- \***WE STRONGLY RECOMMEND INSTALLATION BY A LICENSED ELECTRICIAN.**
- \*Turn off power at switch before replacing bulbs, making sure fixture has had sufficient time to cool down.
- \*DO NOT subject the fixture to any shock while lit as shattering of bulbs may result.
- \*This portable lamp has a polarized plug (one blade is wider than the other) as a feature to reduce risk of electric shock, this plug will fit in a polarized outlet only one way. If it does not fit fully in the outlet, reverse the plug. If it still does not fit, contact a qualified electrician. Never use with an extension cord unless the plug can be fully inserted. DO NOT ALTER THE PLUG.

## CORD COVER ASSEMBLY INSTRUCTIONS:

1. Remove all parts from carton. Do not throw away any parts.
2. Remove mounting plate (A) from backplate (C) by removing backplate screws (D).
3. Affix mounting plate (A) to the wall using mounting plate screws (B) provided.
4. Align holes in backplate (C) with holes in mounting plate (A). Slide backplate (C) over mounting plate (A). Thread backplate screws (D) into backplate (C) to secure fixture to mounting plate (A).
5. Thread top cord cover (G) into the threaded opening of nipple (K). Thread bottom cord cover (G) into threaded opening of top cord cover (G).
6. Insert threaded end of boom (J) into threaded opening in housing (L).
7. Place shade spider (located inside shade (N)) over threaded socket. Attach socket flange (O) onto threaded socket to secure shade (N) to lamp.
8. Install one (1) 40W MAX Type A bulb in to socket.
9. Remove protective plastic (I) from polarized plug (H). Insert polarized plug (H) into wall outlet. Use switch (M) to turn lamp on/ off.

## DIRECT WIRE ASSEMBLY INSTRUCTIONS:

1. SHUT OFF ELECTRICAL SUPPLY FROM MAIN FUSE BOX / CIRCUIT BREAKER.
2. Follow steps 1 - 3 from *cord cover assembly instructions* above.
4. Disconnect wiring between socket and cord with polarized plug (H) by unscrewing wire nuts (E). Pull wiring from three prong plug (H) away from backplate (C) exiting through nipple (K). Carefully unscrew nipple (K) from backplate (C).
5. Thread plug (F) into hole of backplate (C) vacated by electrical cord and nipple (K).
5. Lift backplate (A) to outlet box and make proper electrical connection. A licensed electrician is recommended.
6. Attach ground wire from fixture (green or copper in color) to ground wire from outlet box.
7. Attach hot wire from fixture (black in color or smooth side of wire) to hot wire from outlet box. Fasten wires together with wire nut (E) and tightly wrap connection with electrical tape.
8. Attach neutral wire from fixture (white in color or ribbed side of wire) to neutral wire from outlet box. Fasten wires together with wire nut (E) and tightly wrap connection with electrical tape.
9. Follow steps 6 - 8 from *cord cover assembly instructions* above to complete assembly.