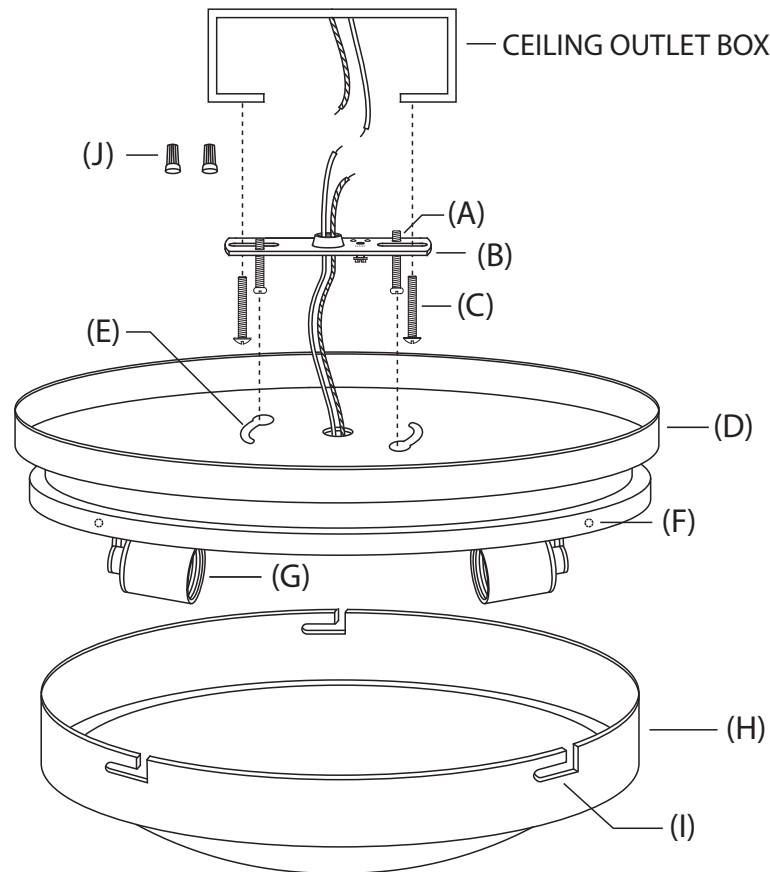


ASSEMBLY INSTRUCTIONS FOR YOUR
RODERICK 17" FLUSH MOUNT



IMPORTANT SAFETY INSTRUCTIONS:

- *These instructions are provided for your safety. It's important that they're read completely before beginning installation of fixture.
- *WE STRONGLY RECOMMEND INSTALLATION BY A LICENSED ELECTRICIAN.**
- *Turn off power at switch before replacing bulbs, making sure fixture has had sufficient time to cool down.
- *DO NOT subject the fixture to any shock while lit as shattering of bulbs may result.

ASSEMBLY INSTRUCTIONS:

1. SHUT OFF THE MAIN ELECTRICAL SUPPLY FROM THE MAIN FUSE BOX/ CIRCUIT BREAKER.
2. Remove all parts from carton, and remove all packing material. Do not throw away any parts.
3. Set fixture on a level surface so glass shade is facing up. Remove shade from fixture by rotating metal frame (H) counterclockwise and lifting it straight up. Channels (I) will slide off of metal tabs (F). Set shade aside.
4. Flip canopy over so sockets are facing down. Remove cross bar (B) from canopy (D) by rotating it counterclockwise.
5. Attach cross bar (B) (with screws (A) attached) to ceiling outlet box using screws (C), provided.
6. Lift canopy (D) to cross bar (B) and guide wiring from canopy (D) through center hole in cross bar (B). Make proper electrical connections as described in steps 7 - 9. A LICENSED ELECTRICIAN IS RECOMMENDED.
7. Attach ground wire from fixture (GREEN in color) to ground wire in outlet box (usually GREEN or COPPER in color). IT IS IMPERATIVE THAT THE OUTLET BOX IN YOUR HOME BE PROPERLY GROUNDED.
8. Connect the neutral wire from fixture (WHITE in color or RIBBED side of wire) to the neutral wire from the outlet box. Fasten wires together using wire nut (J) and tightly wrap connection with electrical tape.
9. Connect the hot wire from fixture (BLACK in color or SMOOTH side of wire) to the hot wire from the outlet box. Fasten wires together using wire nut (J) and tightly wrap connection with electrical tape. Carefully push wires back into the ceiling outlet box.
10. Align holes (E) in canopy (D) with screws (A) on crossbar (B). Lift canopy (D) to crossbar (B) so screws (A) protrude through holes (E) in canopy (D). Rotate canopy (D) clockwise until it stops to secure fixture to ceiling.
11. Insert three (3) 60W MAX B11 medium base torpedo bulbs into sockets (G).
12. Lift shade to canopy (D). Slide metal frame (H) into canopy (D). Channels (I) will slide over metal tabs (F). Carefully rotate metal frame (H) clockwise until it stops to secure the shade to canopy (D).

* To clean, use soft cloth only. Do not use any chemical or abrasive cleaners. *